

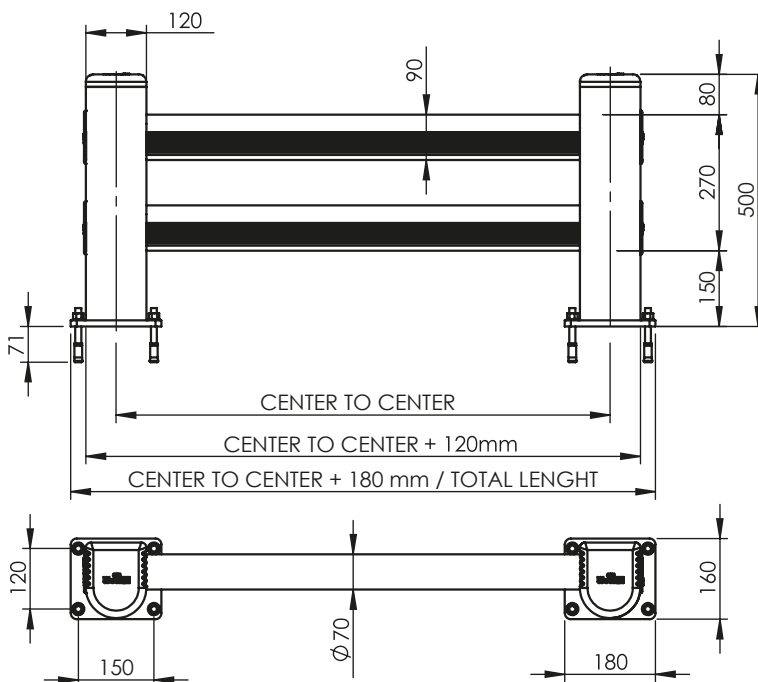
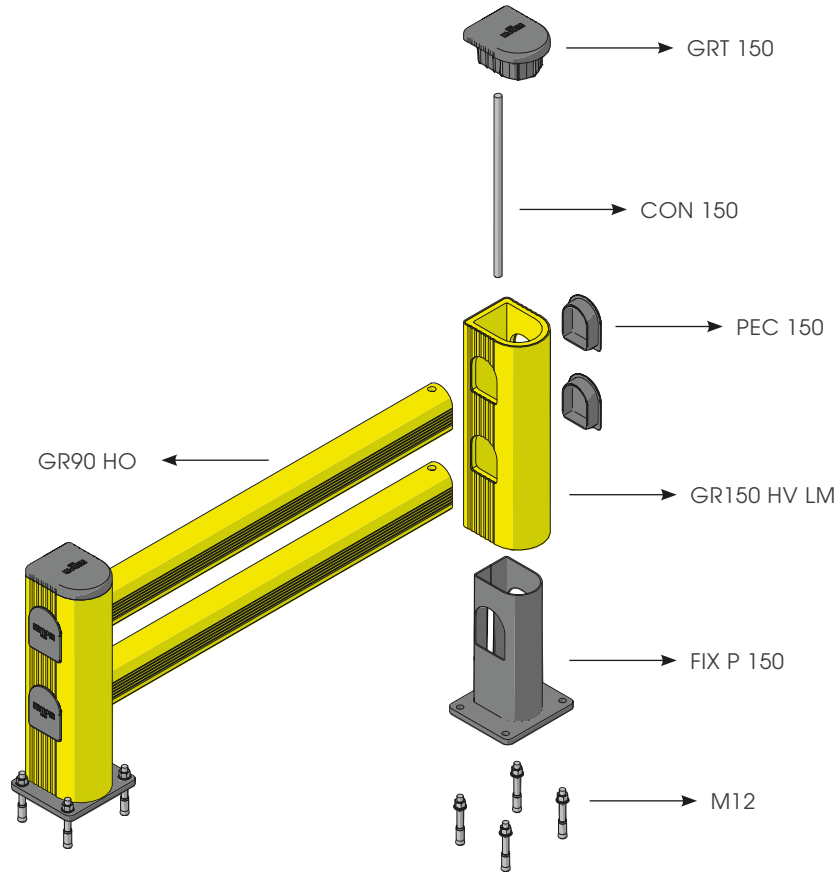
# 01. RACK PROTECTIONS RACK-END BARRIERS

## LM

GUARD RAIL A DOPPIA BARRIERA  
DOUBLE RAIL BARRIER

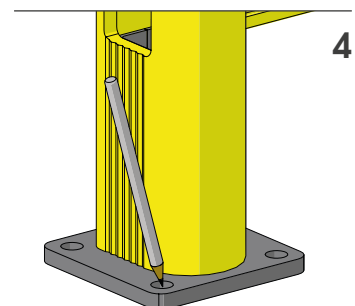
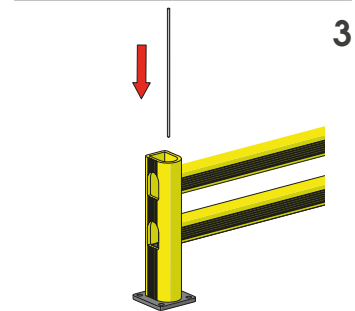
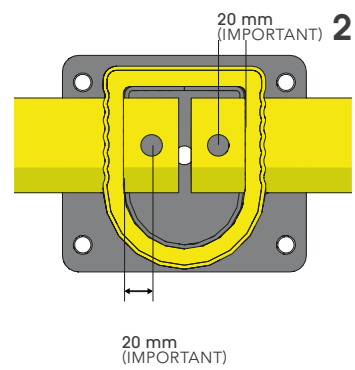
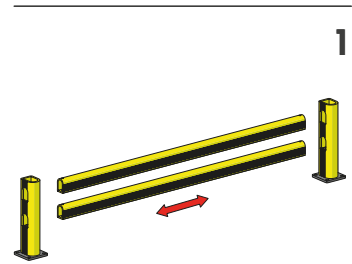
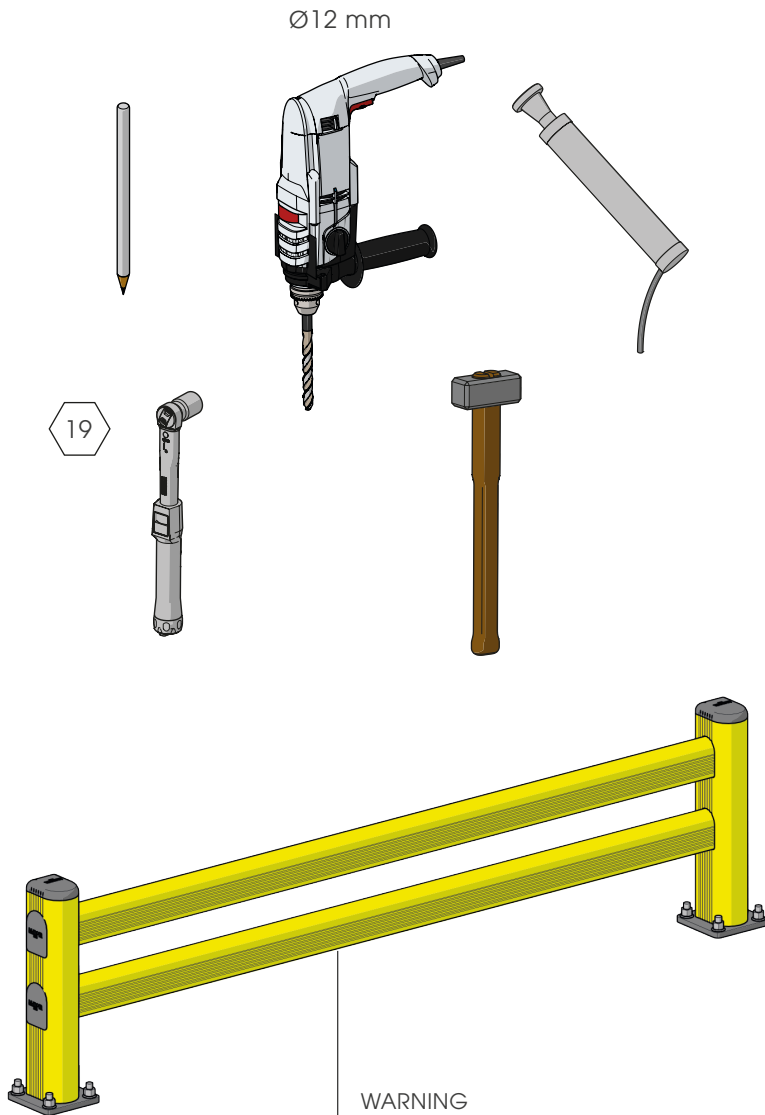


**IMPACT TEST PASSED**  
according to  
EN 15512:2009



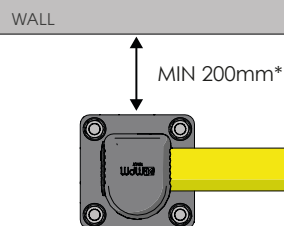
## LM

### ISTRUZIONI DI INSTALLAZIONE ASSEMBLY INSTRUCTIONS



#### WARNING

The distance of installation depends on speed and weight of vehicle



## LM

### ISTRUZIONI DI INSTALLAZIONE ASSEMBLY INSTRUCTIONS

