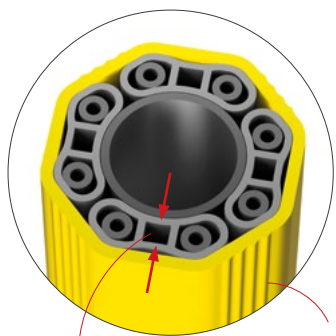
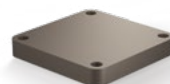
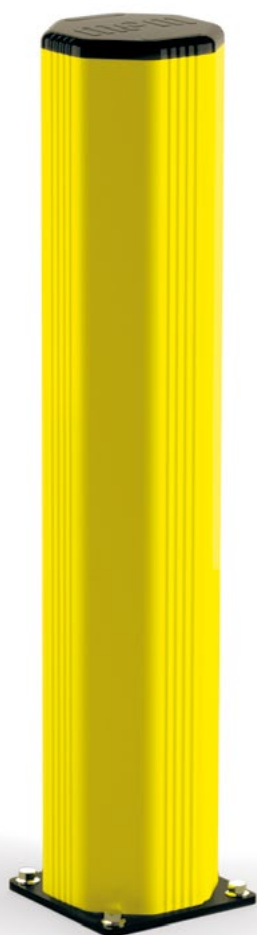


GRD 200



FLEXIBLE

NEW ANTISHOCK BUMPER



INCLUDED

FAST AND EASY TO INSTALL

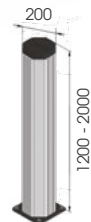


S16 GALVANISED STEEL



GRD 200 1200 2000

Packing Colour unpacked on pallet M



Equipped with accessories

